

Adresa : Rakovička cesta 104 Sarajevo / BiH
Telefon : +387644488477
Fax : +387644488477
Fabrika : Modern San. Sitesi Yeşiltepe Mah.
8030 Sok. No:12 Erenler / Sakarya
Telefon : +90 264 276 91 33
Fax : +90 264 276 91 33
Email : info@winper.ba
Web : www.winper.ba

Živi siguran život uz **WINPER**

www.winper.ba

WINPER

1975

PVC I ALU STOLARIJA

•Gijotinskog Stakla

A modern architectural structure with large glass panels, situated on a terrace overlooking a lake and mountains. The structure has a white frame and a flat roof. The view through the glass shows a clear blue sky, a calm lake, and distant mountains. Inside the structure, there is a lounge area with a table and chairs. A green banner is overlaid on the right side of the image, containing the text 'GILJOTINSKO Staklo'.

GILJOTINSKO
Staklo



Giljotinsko Staklo

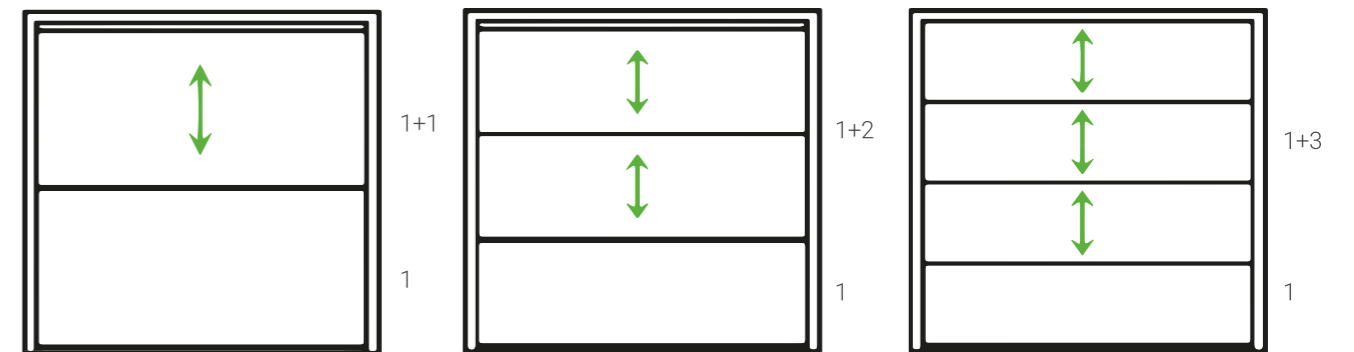
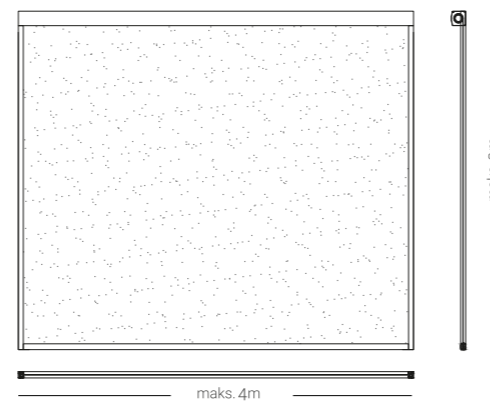
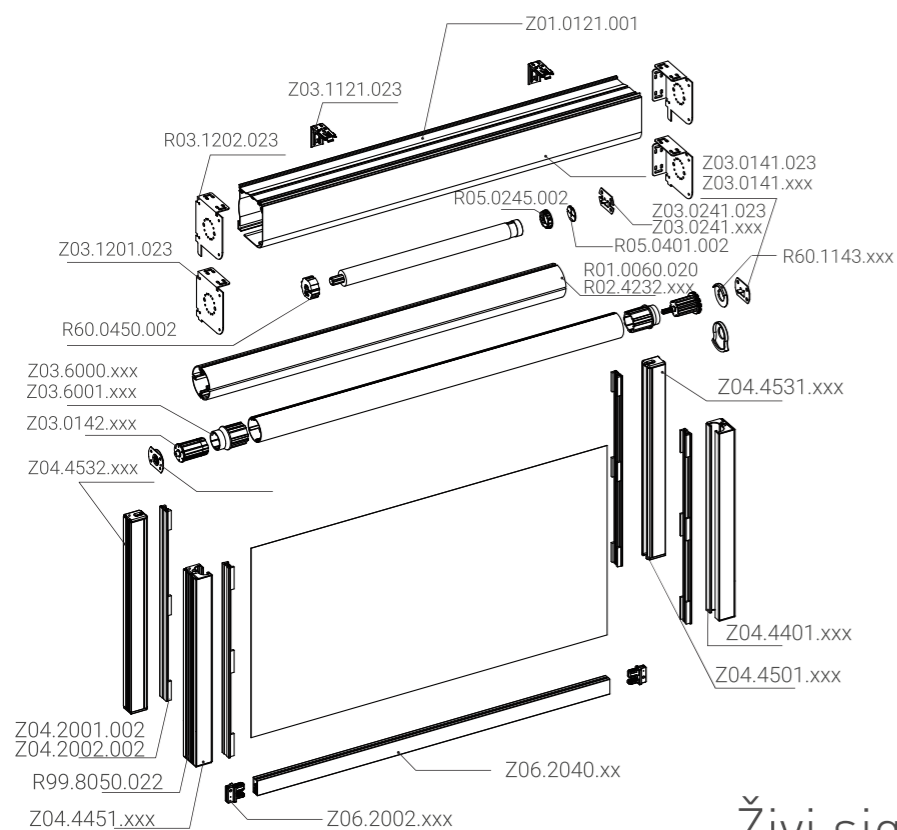
Pokretna stakla, sistem je nove generacije na polju zastakljivanja.

Winper pokretno staklo svojom vrhunskom tehnologijom i funkcionalnim karakteristikama Vaš prostor u kojem boravite čini ugodnijim i atraktivnijim za život.

- Sistem pokretnih stakala daje vam priliku da u svom domu stvorite poseban prostor u kojem ćete pronaći mir u sva četiri godišnja doba. Kada je sistem otvoren, vaše vanjske površine kao što su terase mogu se spojiti s vašim domom.
- Nudi rješenje nove generacije za tradicionalne pokretne aluminijumske staklene sisteme u oblastima komercijalne primjene. Sa svojim različitim opcijama boje aluminijuma i stakla, on dodaje volumen i vrijednost preduzećima bez ugrožavanja širine prostora. Kada su staklene ploče zatvorene u zimskoj sezoni, temperatura unutrašnjeg prostora se može održavati bilo kojim sistemom grijanja.

Dizajn i funkcionalnost

- Svojim horizontalnim pomijeranjem, staklene ploče se mogu otvoriti, omogućavajući ulazak dnevne svjetlosti, obezbjeđujući prirodno osvjetljenje i uštedu energije. • Sistem se može kretati pojedinačno ili istovremeno sa daljinskim upravljačem. Sistem se, zahvaljujući posebnoj aplikaciji, može povezati na tablet i pametni telefon, kao i na kućni modem.
- Stakleni profili, koji minimalno utiču širinu prostora, ne narušavaju vidno polje korisnika i obezbjeđuju savršenu povezanost sa spoljašnjim okruženjem. Sistem pokretnih stakala, poznat kao stakleni sistem giljotine, preferira se u komercijalnim prostorima kao što su kafići, restorani, hoteli.
- Zahvaljujući zvučnoj izolaciji, rad motora koji pokreće sistem je nečujan.

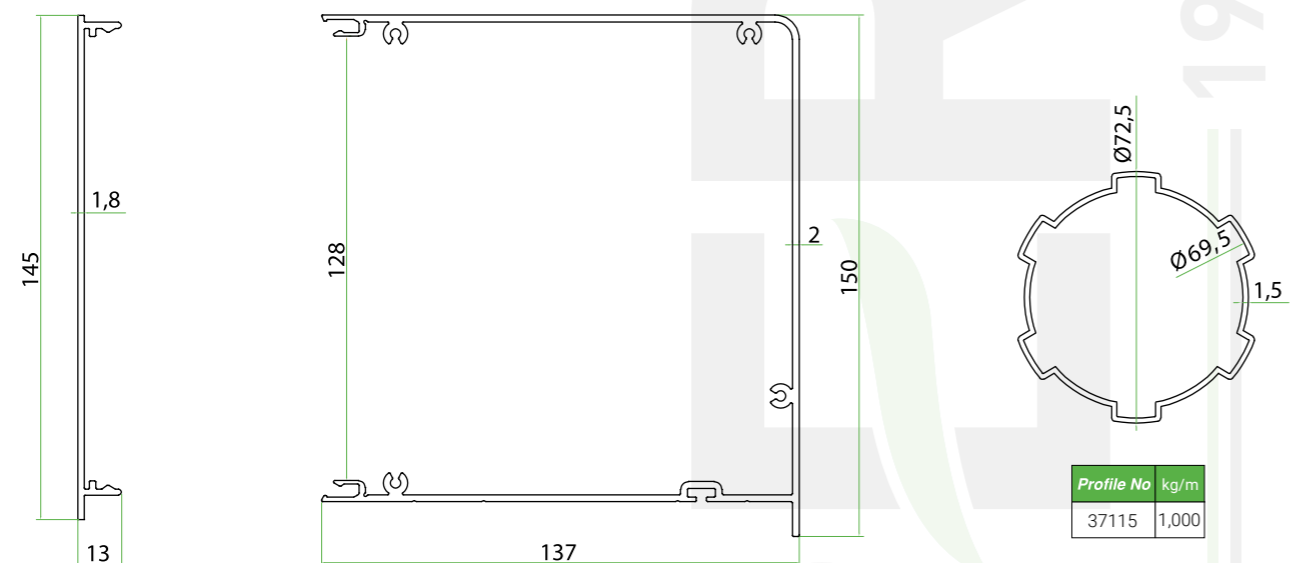


Sigurnost

- Spriječeno je da prsti budu uhvaćeni između staklenih ploča dok se sistem gasi. Dok se sistem otvara, donja granica motora se odvaja tako da postoji razmak od 1-2 cm između pomičnog stakla i fiksnog stakla, sprečavajući opasnost od zaglavljivanja čak i u parking poziciji.
- Pokretni rukohvat/giljotina zastakljivanje pruža veću sigurnost od drugih tipova aplikacija zbog upotrebe čeličnih lanaca.



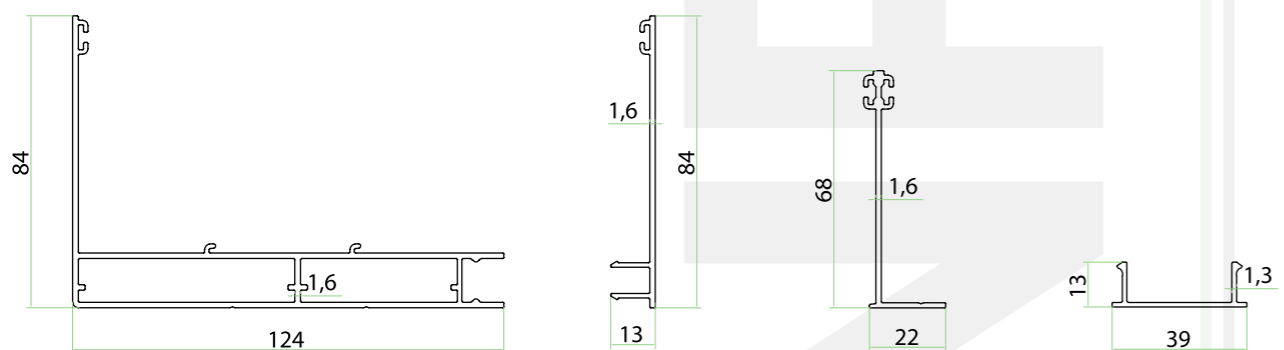
Živi siguran život uz **WINPER**
www.winper.ba



Profile No	kg/m
37271	0,847

Profile No	kg/m
37272	2,645

Profile No	kg/m
37115	1,000

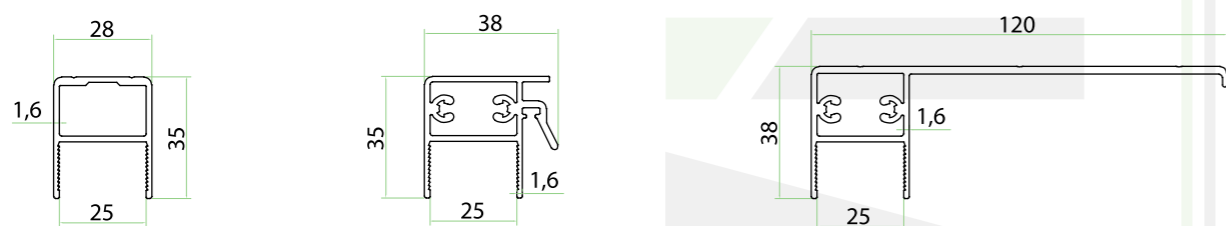


Profile No	kg/m
37267	1,624

Profile No	kg/m
37269	0,475

Profile No	kg/m
37268	0,464

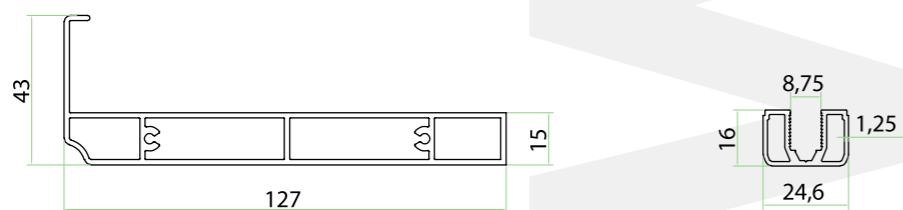
Profile No	kg/m
37270	0,230



Profile No	kg/m
37263	0,545

Profile No	kg/m
37264	0,825

Profile No	kg/m
37265	1,285



Profile No	kg/m
37266	1,483

Profile No	kg/m
37281	0,353



Engine Box Profile

Product Code:37272

Weight kg/m: 2,645
(138 x 160 x 2mm)



Engine Box Cover Profile

Product Code:37271

Weight kg/m: 0,847
(13 x 145 x 1,8mm)



Rail Profile

Product Code:32267

Weight kg/m: 1,624
(84 x 124 x 1,6mm)



Lower Base Profile

Product Code:37266

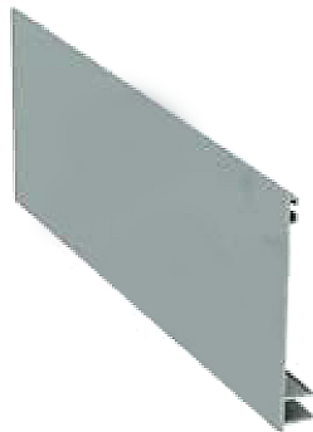
Weight kg/m: 1,483
(15 x 127 x 43 x 1,5mm)



Ray inner Nail Profile

Product Code:37268

Weight kg/m: 0,464
(22 x 68 x 1,6mm)



Ray External Nail Profile

Product Code:37269

Weight kg/m: 0,475
(13 x 84 x 1,6mm)



Rail Cover Profile

Product Code:37270

Weight kg/m: 0,230
(13 x 39 x 1,3mm)



Tube Motor Profile

Product Code:37115

Weight kg/m: 1
(72,5 x 1,5mm)



24mm Handrail Profile

Product Code:37265

Weight kg/m: 1,285
(38 x 120 x 1,6mm)



24mm Sewing and Bottom Profile

Product Code:37263

Weight kg/m: 0,545
(28 x 35 x 1,6mm)



24mm Attractive Profile

Product Code:37264

Weight kg/m: 0,825
(38 x 35 x 1,6mm)



8mm Adapter

Product Code:37281

Weight kg/m: 0,353
(24,6 x 16,1 x 1,25mm)

PANORAMA GLASS ACCESSORIES

Guillotine Chain Accessory Set GYT-01



Tube Engine Cover Right Left

Product Code: GYT-07 / 05

Quantity: 2 piece



Sub-Base And Side Profile

Product Code: GYT-06

Quantity: 2 piece



Plastic Side Cover

Product Code: GYT-10

Quantity: 2 piece



Glass Corner Connection

Product Code: GYT-11

Quantity: 12 piece



Sprocket

Code: GYT-12

Quantity: 2 piece



Chain

Code: GYT-19

Quantity: 5 meter



Chain Connection

Product Code: GYT-13

Quantity: 2 piece



Pipe Head

Product Code: GYT-14

Quantity: 1 piece



M12 Bolt

Product Code: M12

Quantity: 2 piece

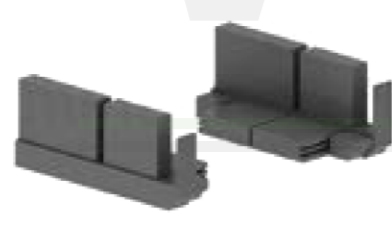
Guillotine Chain Accessory Set GYT-01



Tube Engine Cover Right Left

Product Code: GYT-07 / 05

Quantity: 2 piece



Sub-Base And Side Profile

Product Code: GYT-06

Quantity: 2 piece



Plastic Side Cover

Product Code: GYT-10

Quantity: 2 piece



Timig Pulley

Product Code: GYT-15

Quantity: 2 piece



Product Code: GYT-22

Quantity: 4 piece

Product Code: GYT-23
Quantity: 2 piece

Product Code: GYT-24



Belt Bottom Stopping

Product Code: GYT-25

Quantity: 2 piece



Glass Corner Connection

Product Code: GYT-11

Quantity: 12 piece



Pipe Head T

Product Code: GYT-14

Quantity: 1 piece

Guillotine Accessory



T3-F20 Belt

Product Code: GYT-21

1 Top: 100 metre
1 Roll: 100 meter



Clamped Profile Bolt

Product Code: GYT-27

1 Top: 300 metre
1 Roll: 300 meter



Engine Box Seal

Product Code: GYT-28

1 Top: 75 metre
1 Roll: 75 metre



67x800 Bristle Wick

Product Code: GYT-29

1 Top: 250 metre
1 Roll: 250 meter



Guillotine Somfy Engine Apparatus

Product Code: GYT-26-1

Quantity: 1



Guillotine Becker Engine Apparatus

Product Code: GYT-26-2

Quantity: 1



Guillotine Universal Engine Apparatus

Product Code: GYT-26-3

Quantity: 1



Engine Switch Ring

Product Code: PRG-151

Quantity: 1

Guillotine Bolt Set With Chain GYT-30



3.9x22 YHB Screw

Product Code:

Quantity: 8 piece



4.8x16 YHB Screw

Product Code:

Quantity: 24 piece



4.8x60 YHB Screw

Product Code:

Quantity: 24 piece



M6x22 Inbus Bolt

Product Code:

Quantity: 2 piece



M3 Fiber Nut

Product Code:

Quantity: 2 piece



M3x25 Inbus Bolt

Product Code:

Quantity: 2 piece

Guillotine Bolt Set With Strap GYT-31



3.9x22 YHB Screw

Product Code:

Quantity: 8 piece



4.8x16 YHB Screw

Product Code:

Quantity: 24 piece



4.8x60 YHB Screw

Product Code:

Quantity: 24 piece

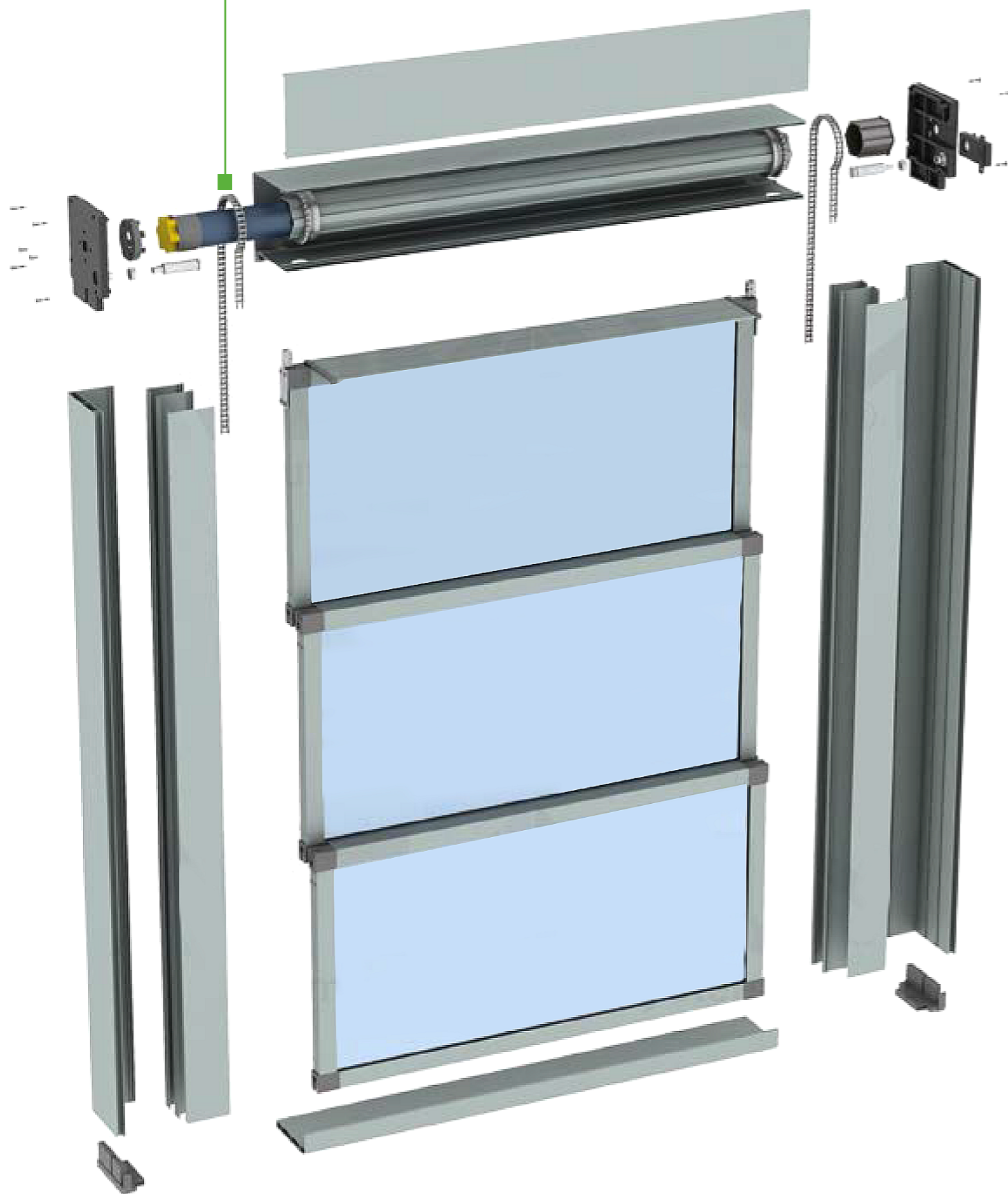


M6x22 Inbus Bolt

Product Code:

Quantity: 2 piece

CHAIN SYSTEM INSTALLATION



CHAIN SYSTEM INSTALLATION

