

Živi siguran život uz WINPER

www.winper.ba

Adresa : Rakovička cesta 104 Sarajevo / BiH
Telefon : +387644488477
Fax : +387644488477
Fabrika : Modern San. Sitesi Yeşiltepe Mah.
8030 Sok. No:12 Erenler / Sakarya
Telefon : +90 264 276 91 33
Fax : +90 264 276 91 33
Email : info@winper.ba
Web : www.winper.ba

WINPER

1975

PVC I ALU STOLARIJA

• Wind Breaker

Wind Breaker System

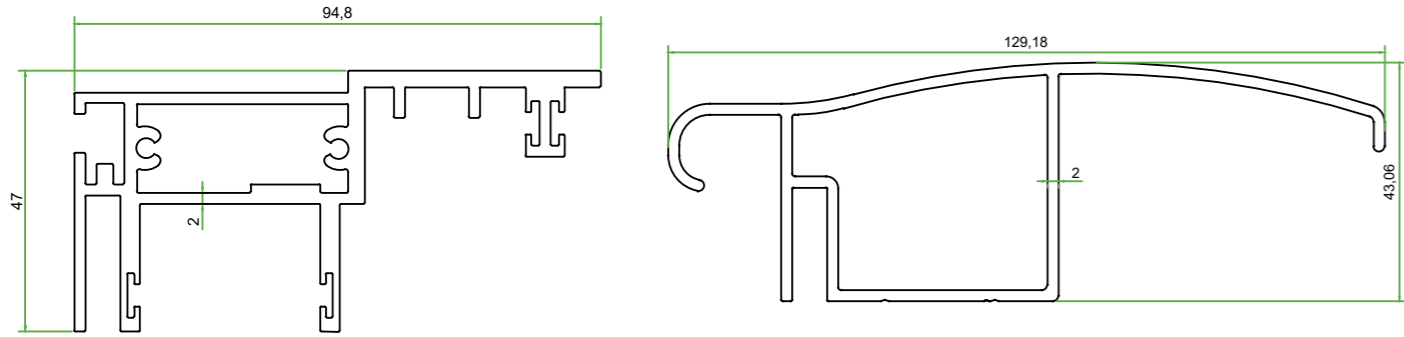
svojim minimalističkim dizajnom štiti od prašine i vjetra, a pritom imate panoramski pogled, te povećava vašu udobnost.

Sa svojim podesivim kutnim rješenjima, inovativnim i estetskim mogućnostima pričvršćivanja na tlo i sistemom zaštite od vjetra, lako se može primijeniti u hotelima, restoranima i kafićima, terasama i uredima.

Profil je širok samo 47 mm, te tako ne gubite na prostoru.

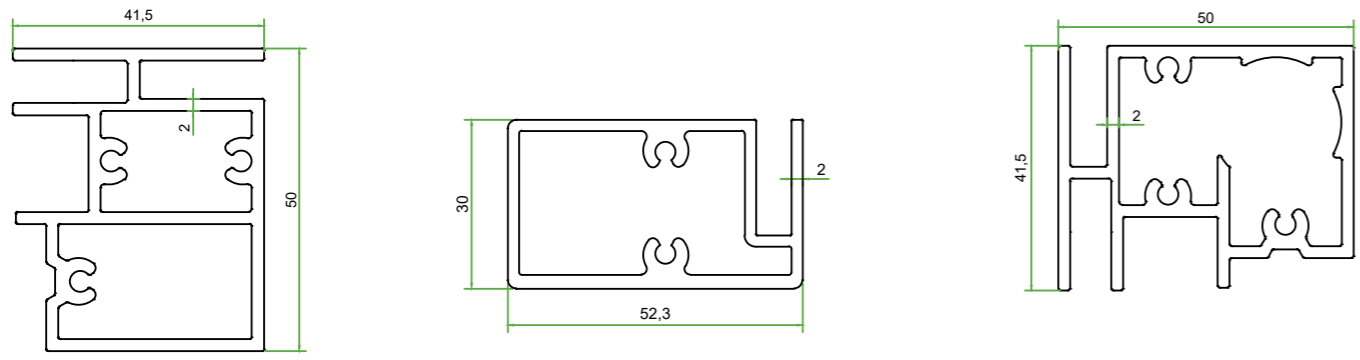


WIND BREAKER SYSTEMS



Profile No	kg/m
3039	2,110

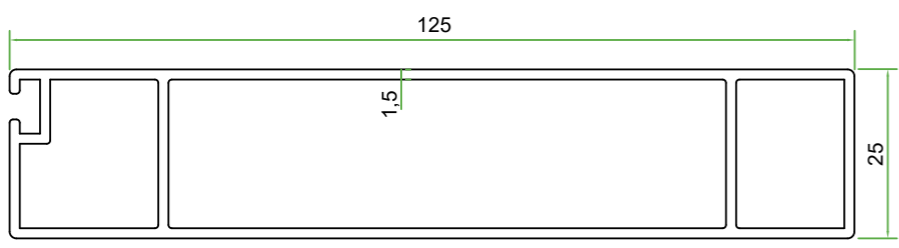
Profile No	kg/m
3040	1,572



Profile No	kg/m
3041	1,450

Profile No	kg/m
3042	1,210

Profile No	kg/m
3043	1,393



Profile No	kg/m
37181	1,460

WIND BREAKER SYSTEMS



Fixed Sewing Profile
 Product Code: 3039
 Weight kg/m: 2,110
 (94.8 x 47 x 2 mm)

Windbreaker in Handrail Profile
 Product Code: 3040
 Weight kg/m: 1,572
 (129,18 x 43,06 x 2 mm)



Sewing Piston Profile
 Product Code: 3043
 Weight kg/m: 1,393
 (50 x 41,5 x 2 mm)

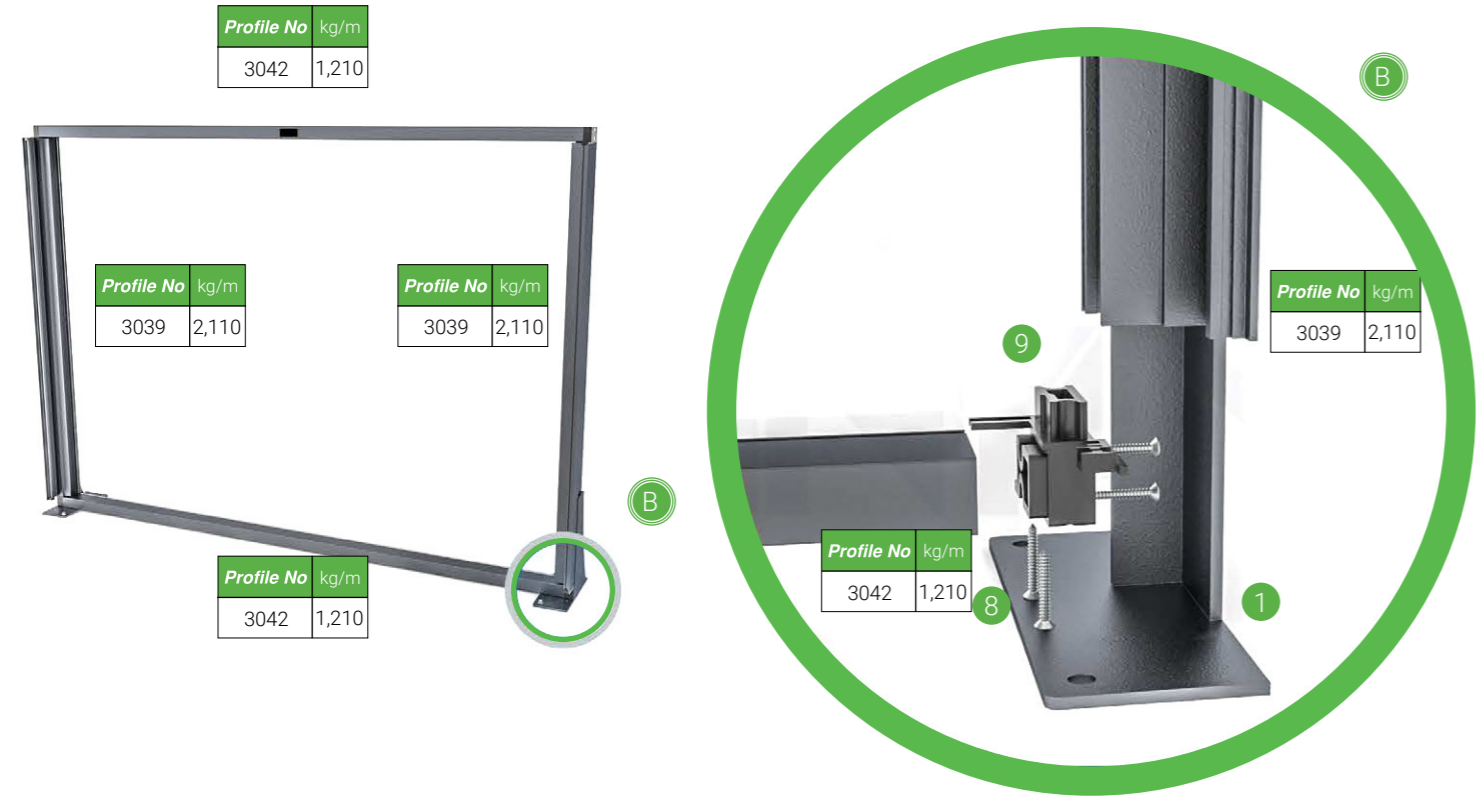
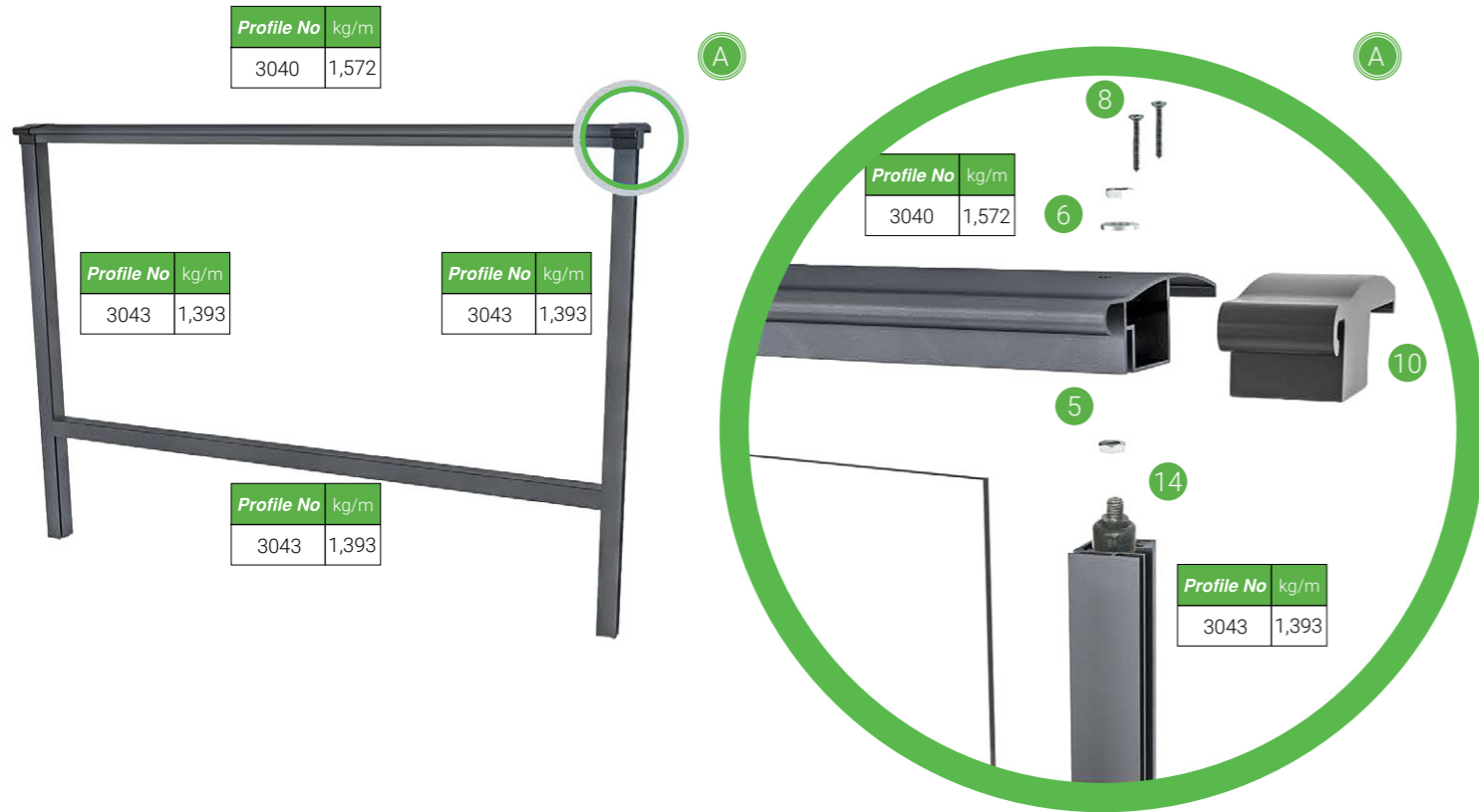
Fixed Horizontal Sewing Profile
 Product Code: 3042
 Weight kg/m: 1,210
 (52,3 x 30 x 2 mm)



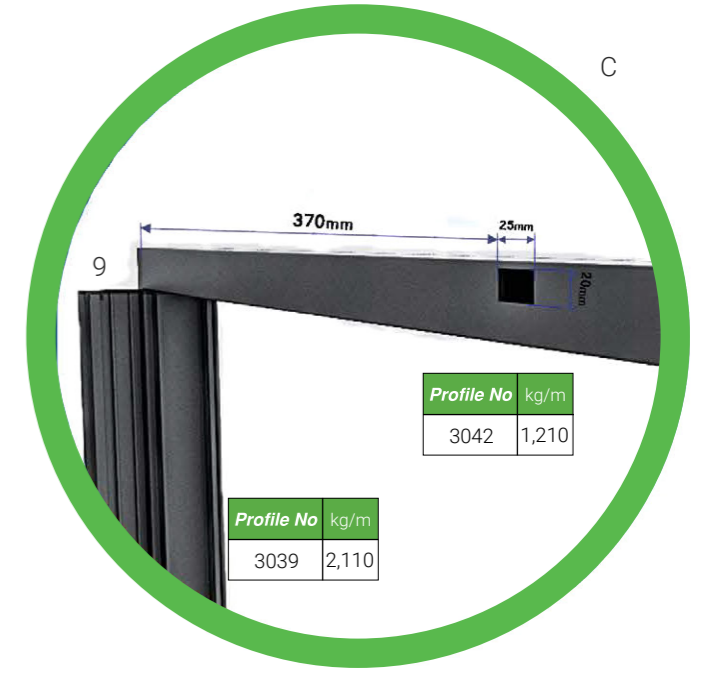
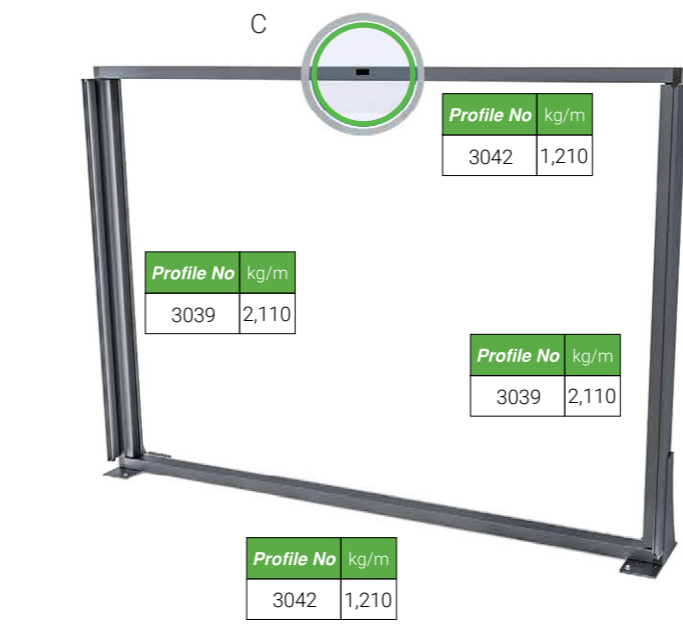
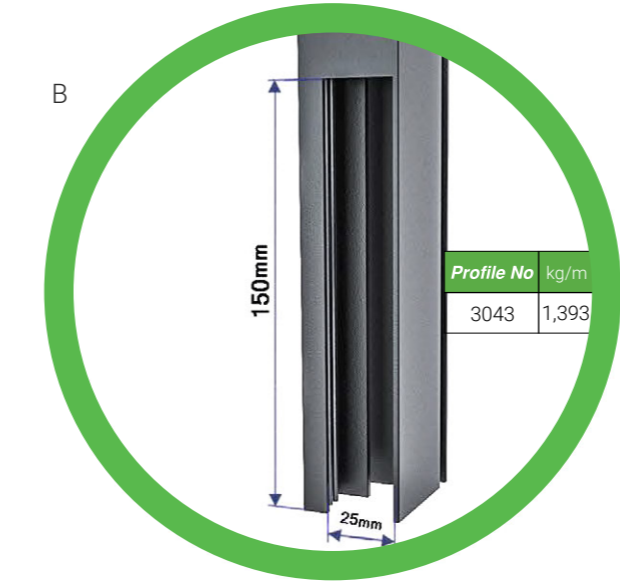
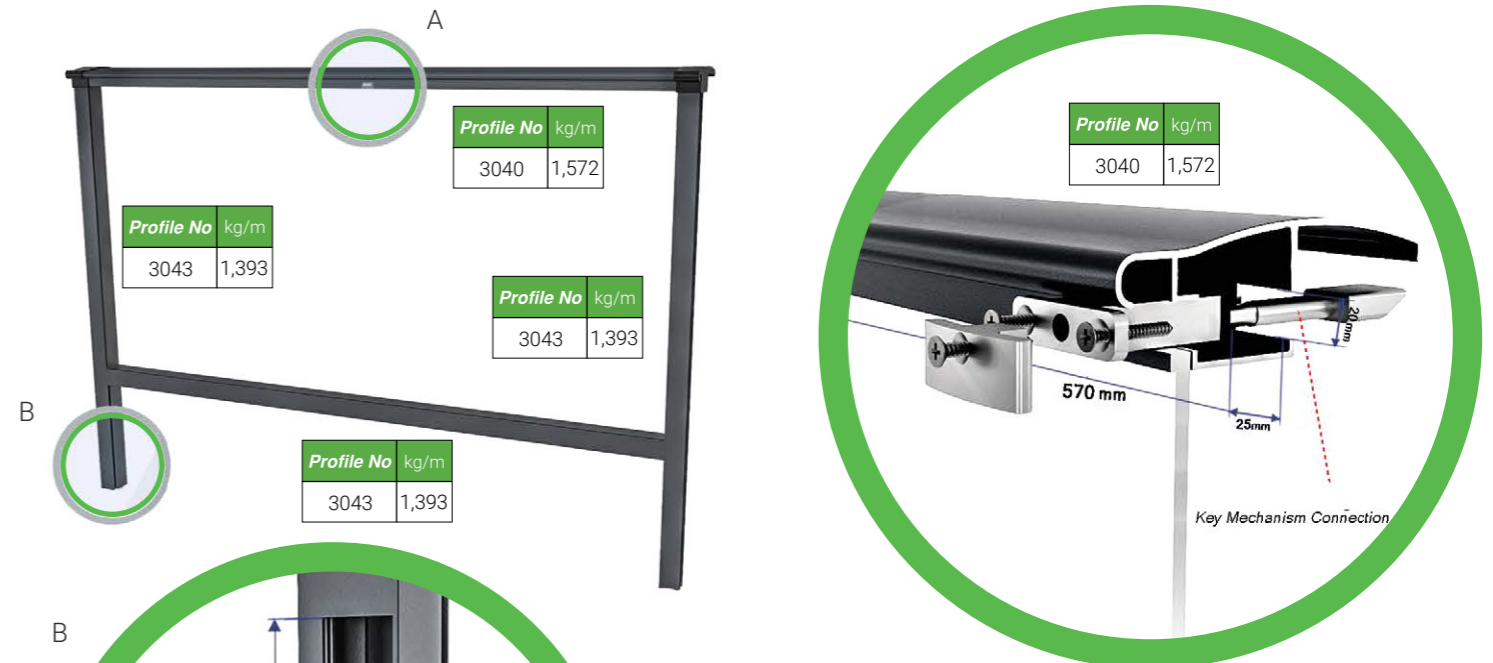
Movings Sewing Profile
 Product Code: 3041
 Weight kg/m: 1,450
 (50 x 41,5 x 2 mm)

Moving Weighted Sewing Profile
 Product Code: 37181
 Weight kg/m: 1,460
 (125 x 25 x 1,5 mm)

GAZ PISTON ASSEMBLY DIAGRAM



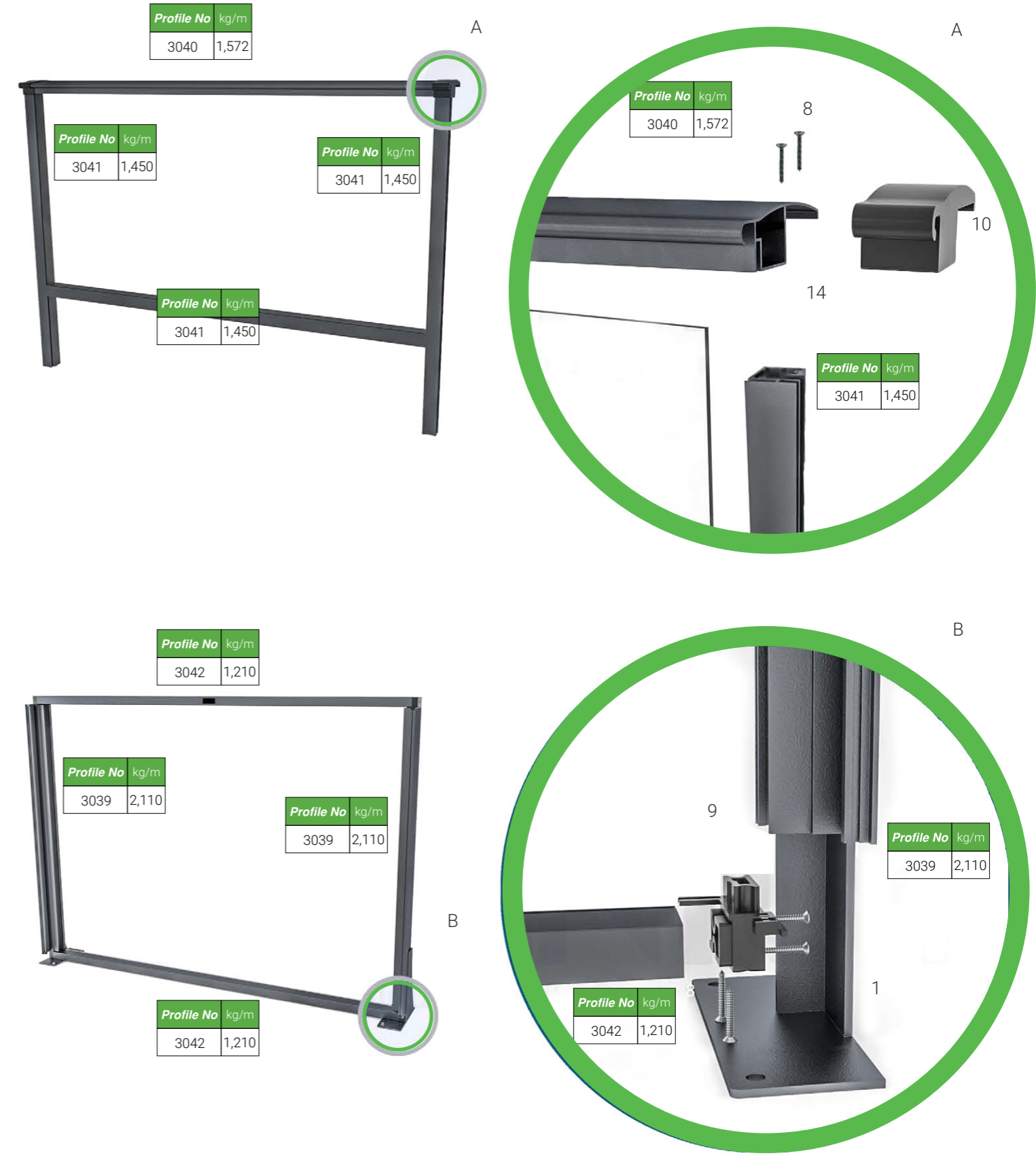
GAZ PISTON ASSEMBLY DIAGRAM



GAZ PISTON ASSEMBLY DIAGRAM



GAZ PISTON ASSEMBLY DIAGRAM



WEIGHTED ASSEMBLY DIAGRAM



WIND BREAKER ACCESORIES



Wind Breaker Accessories
Product Code: RK-1/RK-2/RK-3

PIECES IN THE BOX			
	RK-1	Product Name	Box
1	RK-1	Ground Connection Apparatus	piece
2	RK-1	Piston Connection Apparatus	piece
3	RK-1	Piston Fixing Apparatus	piece
4	RK-1	Connection Fixing Apparatus	piece
5	RK-1	M6 Nuts	set
6	RK-1	Din 134 Plain Washers	set
7	RK-1	Floor Dowel	set
8	RK-1	Smart Screw	set
9	RK-1	Fixed Horizontal Sewing Cover	piece
10	RK-1	Wind Breaker Cover	piece
11	RK-1	Fixed Sewing Plastic Guide	set
12	RK-1	Mobile System Locking Apparatus	piece
13	RK-1	Mobile System Safety Lock	piece
PIECES IN THE BOX			
14	RK-2	Gas Piston	piece
PIECES IN THE BOX			
	RK-3	Product Name	Box
1	RK-3	Ground Connection Apparatus	piece
7	RK-3	Floor Dowel	piece
8	RK-3	Smart Screw	set
9	RK-3	Fixed Horizontal Sewing Cover	piece
10	RK-3	Wind Breaker Cover	piece
11	RK-3	Fixed Sewing Plastic Guide	set
15	RK-3	Steel Wire	set
16	RK-3	Wandering Bearing	piece
17	RK-3	Wire Lock	piece