

Živi siguran život uz WINPER

www.winper.ba

Adresa : Rakovička cesta 104 Sarajevo / BiH
Telefon : +387644488477
Fax : +387644488477
Fabrika : Modern San. Sitesi Yeşiltepe Mah.
8030 Sok. No:12 Erenler / Sakarya
Telefon : +90 264 276 91 33
Fax : +90 264 276 91 33
Email : info@winper.ba
Web : www.winper.ba

WINPER

1975

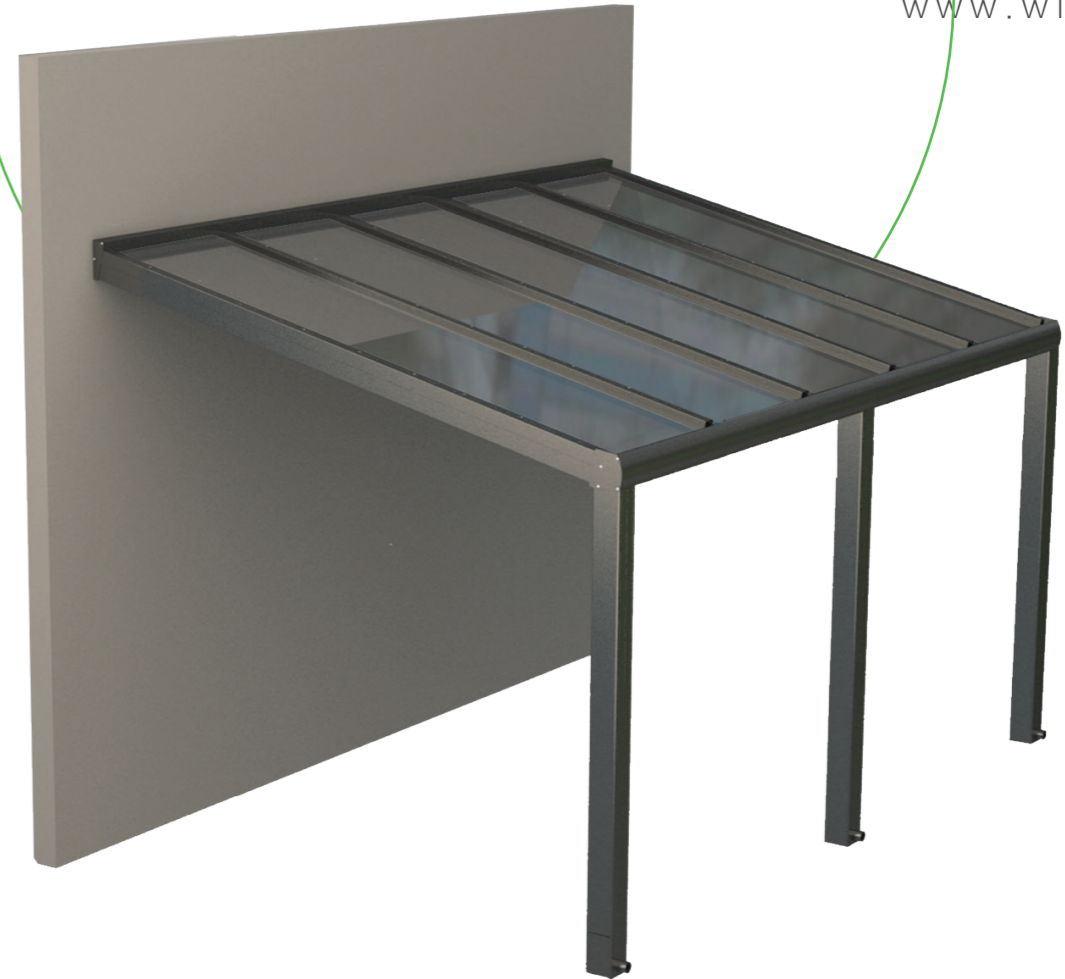
PVC I ALU STOLARIJA

• Winter Garden



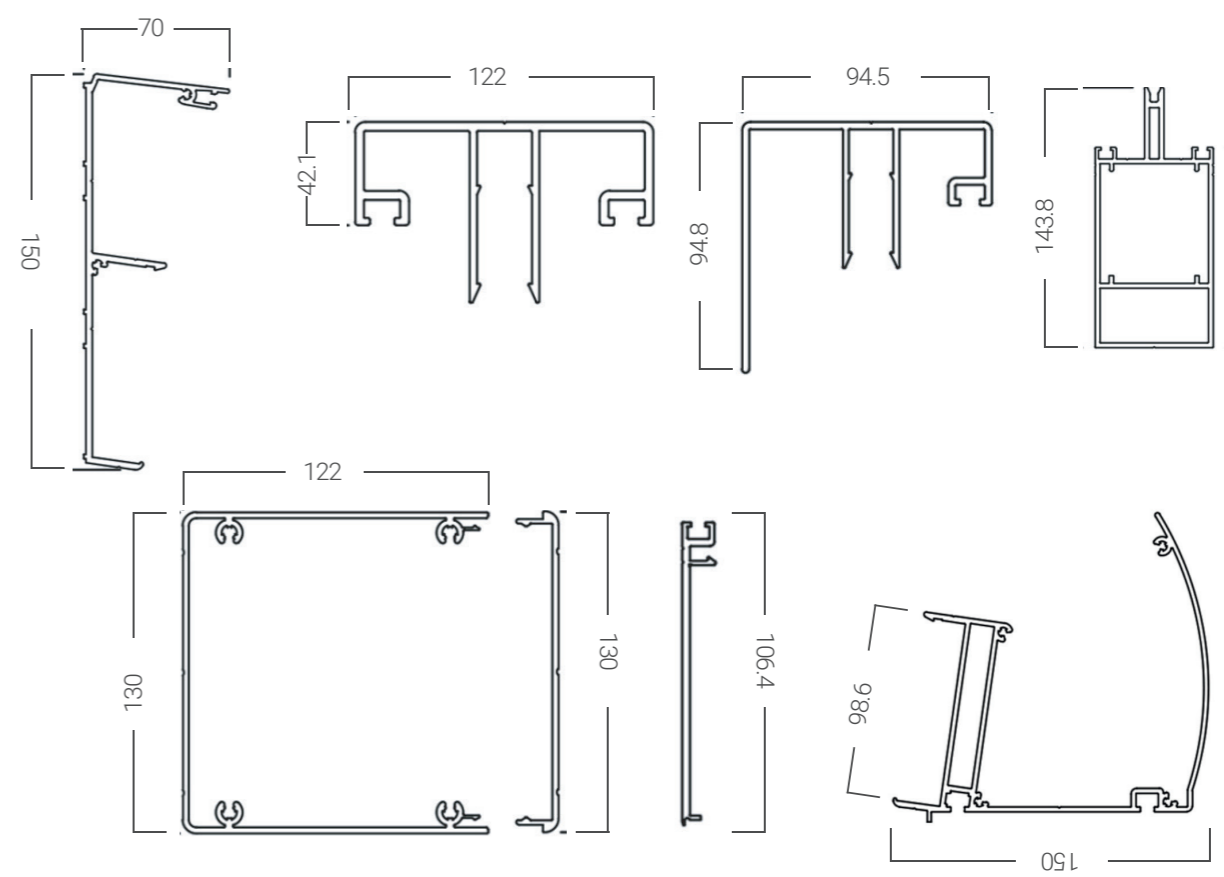
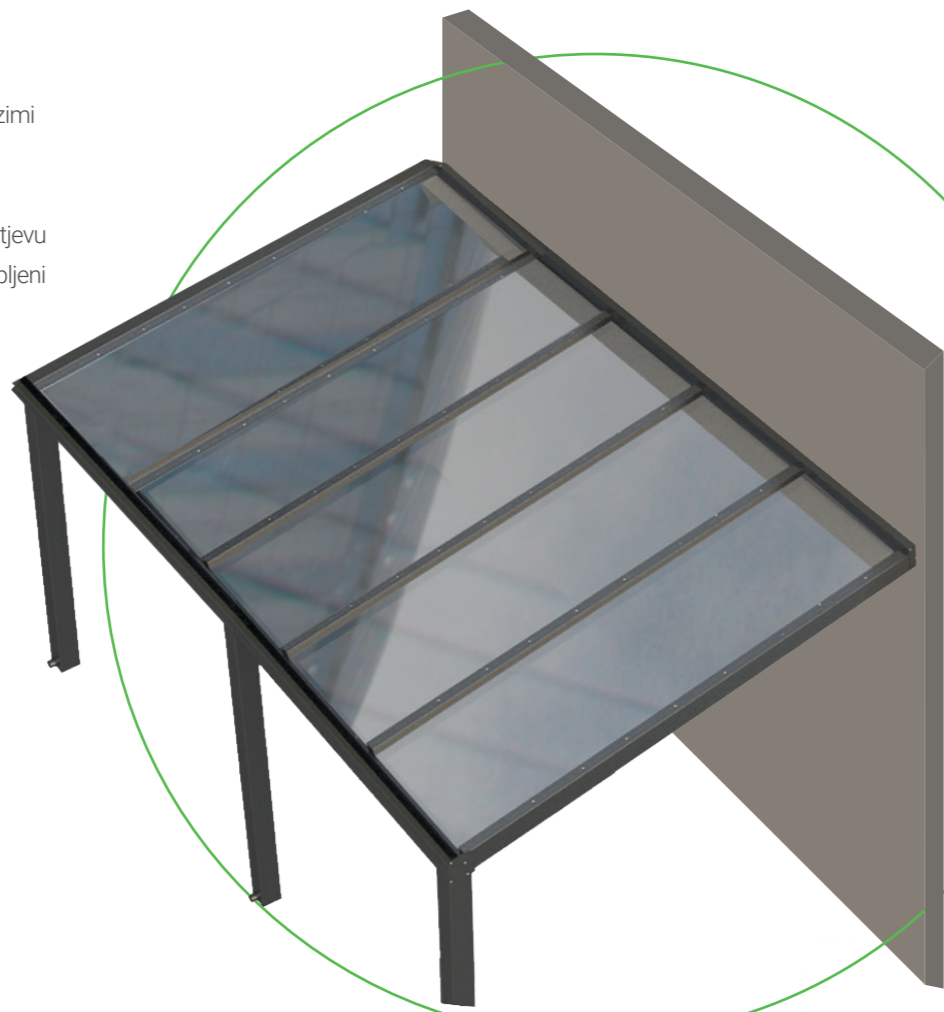
ZIMSKA Pergola

Živi siguran život uz WINPER
www.winper.ba

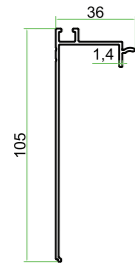


Aluminumski stakleni sistemi su izdržljivi i lagani za montazu, pružajući sigurno i toplo okruženje, posebno zimi kada stvaraju životni prostor.

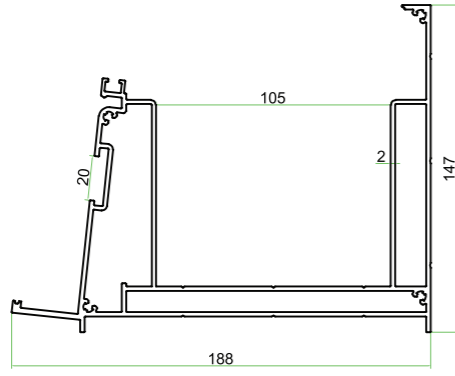
Staklo ili polikarbonsko staklo može se koristiti po zahtjevu kupca. Vjek trajanja ovih sistema koji su veoma zastupljeni u Bosnu može se produžiti periodičnim održavanjem.



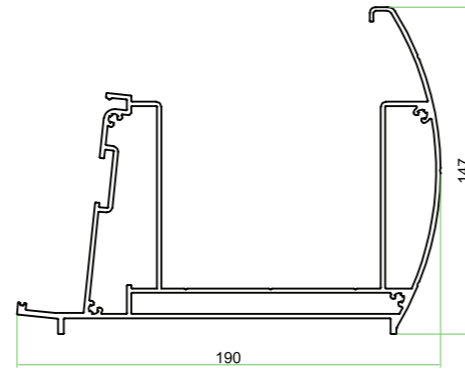
ANTORYUM FLAT SİSTEMİ



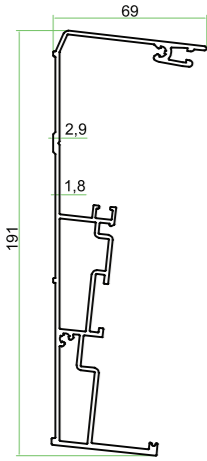
Profile No	kg/m
2533	0,600



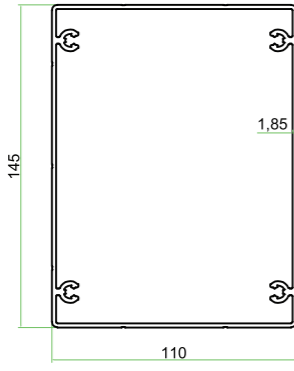
Profile No	kg/m
2530	4,721



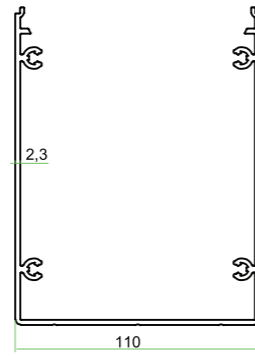
Profile No	kg/m
2594	4,618



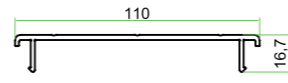
Profile No	kg/m
2532	2,651



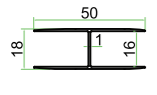
Profile No	kg/m
2111	3,044



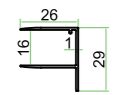
Profile No	kg/m
2301	3,033



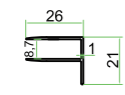
Profile No	kg/m
2302	0,846



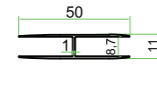
Profile No	kg/m
2539	0,290



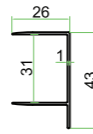
Profile No	kg/m
2538	0,210



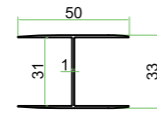
Profile No	kg/m
2542	0,180



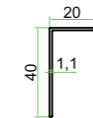
Profile No	kg/m
2543	0,230



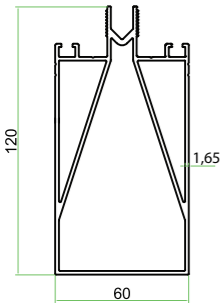
Profile No	kg/m
2544	0,240



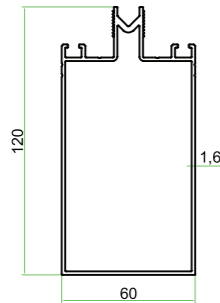
Profile No	kg/m
2545	0,285



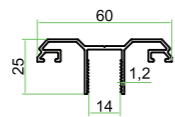
Profile No	kg/m
2394	0,177



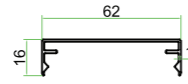
Profile No	kg/m
2935	1,721



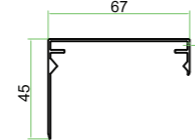
Profile No	kg/m
2490	1,721



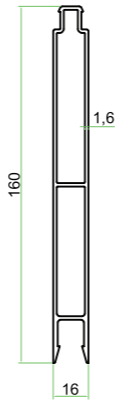
Profile No	kg/m
2534	0,515



Profile No	kg/m
2535	0,312



Profile No	kg/m
2536	0,415



Profile No	kg/m
2546	1,591

ANTORYUM FLAT SYSTEM



Winter Garden Rear Hanger

Product Code : 2532

Weight kg/m: 2,651
(191 x 69 x 1,8mm)



Winter Garden 110x145 Column

Product Code : 2111

Weight kg/m: 3,044
(145 x 110 x 1,85mm)



Winter Garden 110x145 Column Cover

Product Code : 2302

Weight kg/m: 0,846
(17 x 110 x 2,3mm)



Winter Garden 110x145 Column

Product Code : 2301

Weight kg/m: 3,003
(143 x 110 x 2,3mm)

**Winter Garden Gutter**

Product Code: 2530

Weight kg/m: 4,721
(147 x 188 x 2mm)**Winter Garden Radius Gutter**

Product Code: 2594

Weight kg/m: 4,700
(147 x 190 x 2mm)**Winter Garden Edge Cover**
(Right and Left)

Product Code: 2536

Weight kg/m: 0,415
(45 x 63 x 1mm)**Winter Garden Top Cover**

Product Code: 2535

Weight kg/m: 0,312
(16 x 62 x 1mm)**Winter Garden Glass Cover**

Product Code: 2534

Weight kg/m: 0,515
(25 x 60 x 1,2mm)**Winter Garden Glass Holder**

Product Code: 2490

Weight kg/m: 1,721
(120 x 60 x 1,6mm)**Winter Garden Bracket**

Product Code: 2394

Weight kg/m: 0,177
(40 x 20 x 1,1mm)**Winter Garden Gutter and
Rear Inner Cover**

Product Code: 2533

Weight kg/m: 0,600
(105 x 36 x 1,4mm)

**15x160 Paneling**

Product Code: 2546

Weight kg/m: 1,591
(160 x 16 x 1,6mm)**8mm F Profile**

Product Code: 2542

Weight kg/m: 0,180
(21 x 26 x 1mm)**8mm H Profile**

Product Code: 2543

Weight kg/m: 0,230
(11 x 50 x 1mm)**16mm F Profile**

Product Code: 2538

Weight kg/m: 0,210
(28,5 x 26 x 1mm)**16mm H Profile**

Product Code: 2539

Weight kg/m: 0,290
(16 x 50 x 1mm)**24mm F Profile**

Product Code: 2544

Weight kg/m: 0,240
(43 x 26 x 1mm)**24mm H Profile**

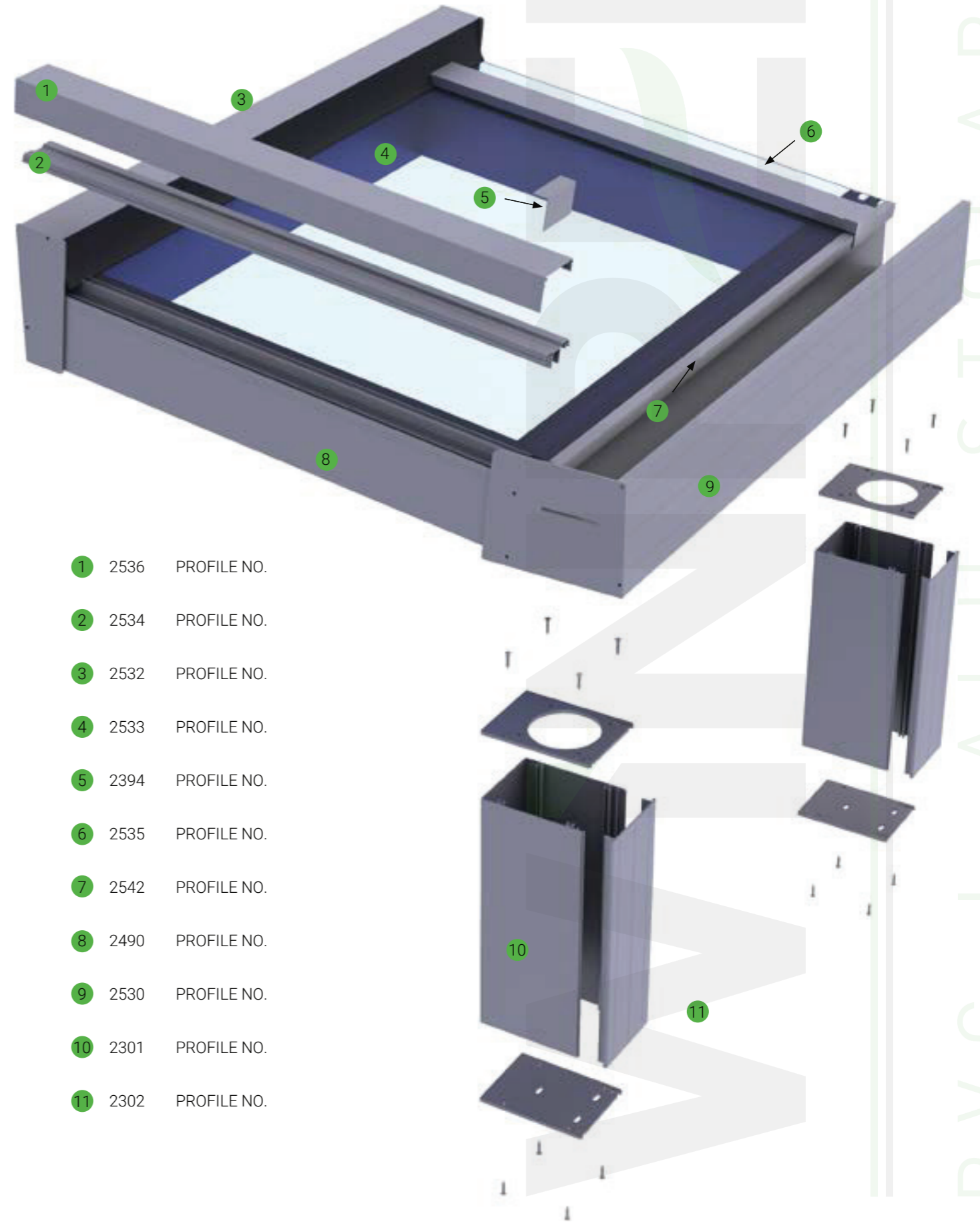
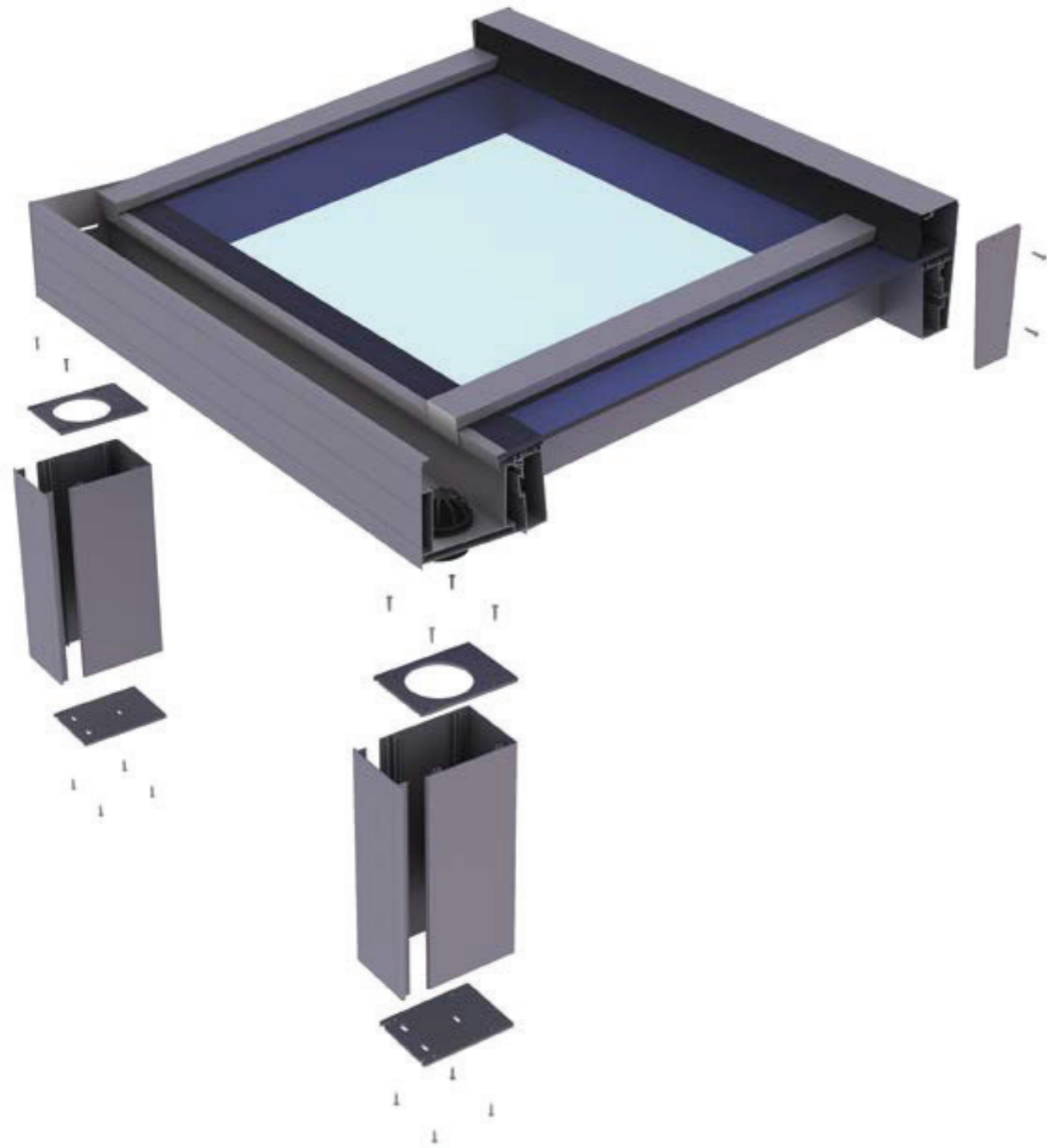
Product Code: 2545

Weight kg/m: 0,285
(33 x 50 x 1mm)**Winter Garden Glass Holder**

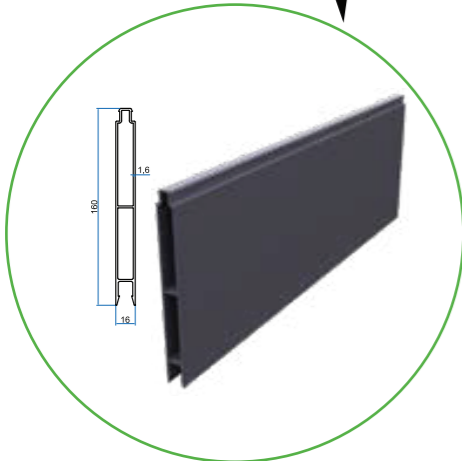
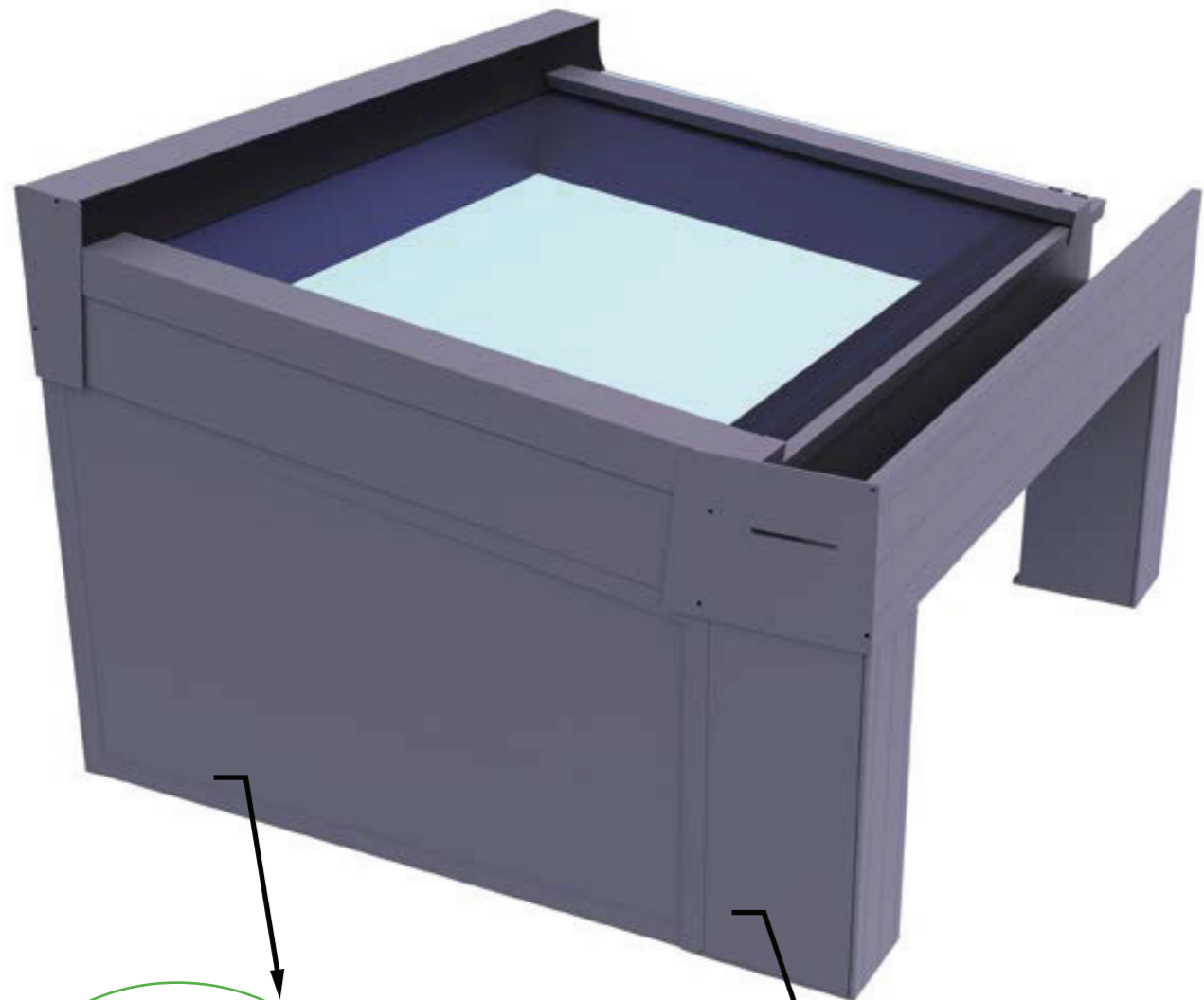
Product Code: 2935

Weight kg/m: 2,440
(120 x 60 x 1,6mm)

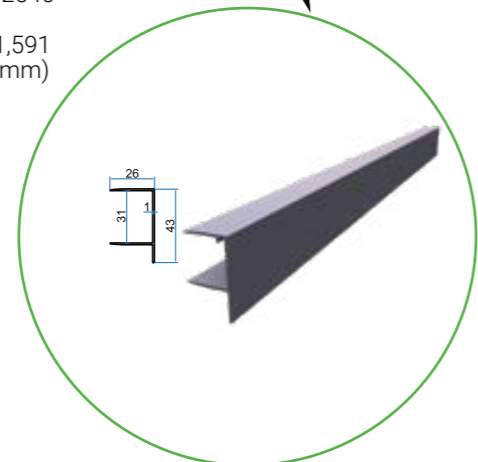




- 1 2536 PROFILE NO.
- 2 2534 PROFILE NO.
- 3 2532 PROFILE NO.
- 4 2533 PROFILE NO.
- 5 2394 PROFILE NO.
- 6 2535 PROFILE NO.
- 7 2542 PROFILE NO.
- 8 2490 PROFILE NO.
- 9 2530 PROFILE NO.
- 10 2301 PROFILE NO.
- 11 2302 PROFILE NO.



15x160 Paneling
Product Code: 2546
Weight kg/m: 1,591
(160 x 16 x 1,6mm)

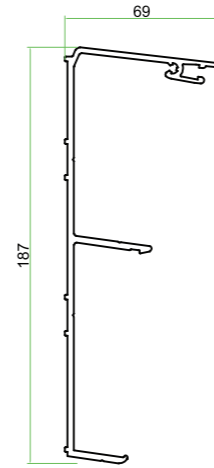


16 mm F Profile
Product Code: 2538
Weight kg/m: 0,210
(28,5 x 26 x 1mm)

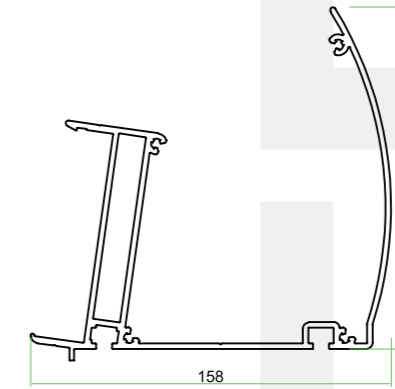


ANTORYUM OVAL

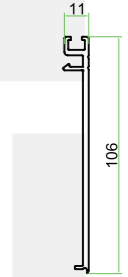
www.winper.ba



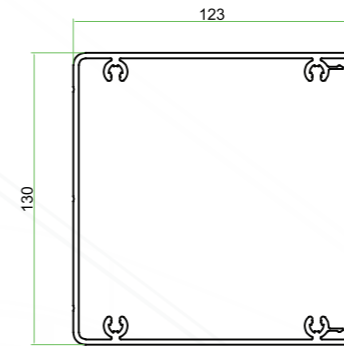
Profile No	kg/m
2004	2,555



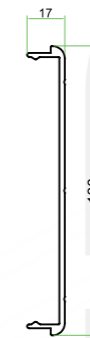
Profile No	kg/m
2012	4,113



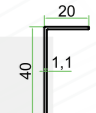
Profile No	kg/m
2011	0,890



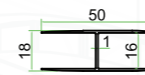
Profile No	kg/m
2009	3,050



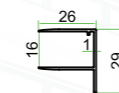
Profile No	kg/m
2010	1,025



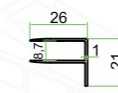
Profile No	kg/m
2394	0,177



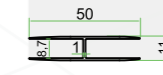
Profile No	kg/m
2539	0,290



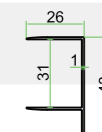
Profile No	kg/m
2538	0,210



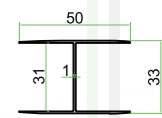
Profile No	kg/m
2542	0,180



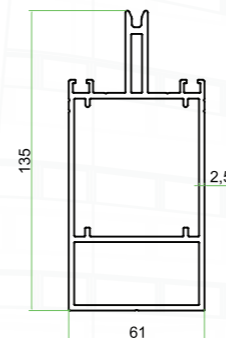
Profile No	kg/m
2543	0,230



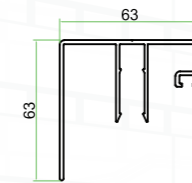
Profile No	kg/m
2544	0,240



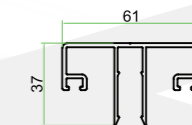
Profile No	kg/m
2545	0,285



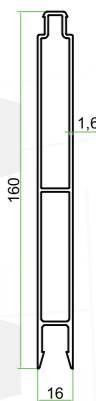
Profile No	kg/m
2005	3,230



Profile No	kg/m
2008	1,060



Profile No	kg/m
2007	0,925



Profile No	kg/m
2546	1,591



Winter Garden Rear Hanger

Product Code: 2004

Weight kg/m: 2,555
(187 x 69 x 3mm)



Winter Garden Foot Cover Profile

Product Code: 2010

Weight kg/m: 1,025
(130 x 17 x 2,4mm)



Winter Garden Foot Profile

Product Code: 2009

Weight kg/m: 3,050
(130 x 124 x 2,4mm)



Winter Garden Radius Gutter

Product Code: 2012

Weight kg/m: 4,113
(150 x 158 x 2,5mm)



*Winter Garden Cover Profile
(Right and Left)*

Product Code: 2008

Weight kg/m: 1,060
(63 x 63 x 1,8mm)



Winter Garden Cover Profile

Product Code: 2007

Weight kg/m: 0,925
(37 x 63 x 1,8mm)



Winter Garden Glass Holder

Product Code: 2005

Weight kg/m: 3,230
(135 x 61 x 2,5mm)

ANTORYUM OVAL SYSTEM



Winter Garden Bracket

Product Code: 2394

Weight kg/m: 0,177
(40 x 20 x 1,1mm)



**Winter Garden Gutter and
Rear Inner Cover**

Product Code: 2011

Weight kg/m: 0,890
(106 x 11 x 2,6mm)



15x160 Paneling

Product Code: 2546

Weight kg/m: 1,591
(160 x 16 x 1,6mm)



8mm F Profile

Product Code: 2542

Weight kg/m: 0,180
(21 x 26 x 1mm)

ANTORYUM OVAL SYSTEM



8mm H Profile

Product Code: 2543

Weight kg/m: 0,230
(11 x 50 x 1mm)



16mm F Profile

Product Code: 2538

Weight kg/m: 0,210
(28,5 x 16 x 1mm)



16mm H Profile

Product Code: 2539

Weight kg/m: 0,290
(16 x 50 x 1mm)



24mm F Profile

Product Code: 2544

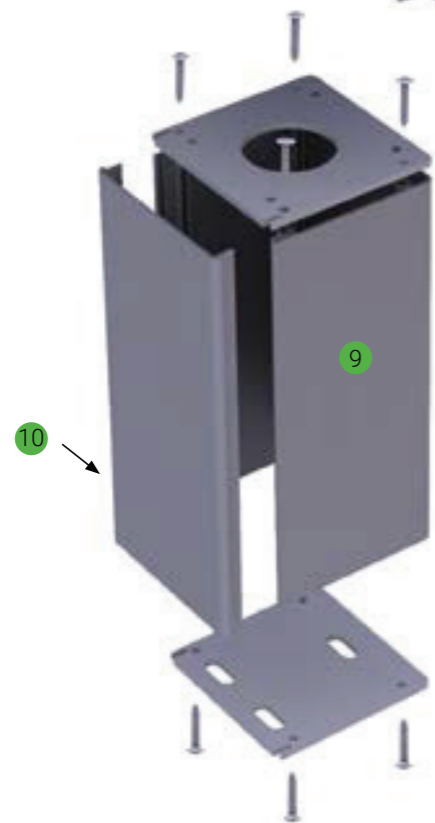
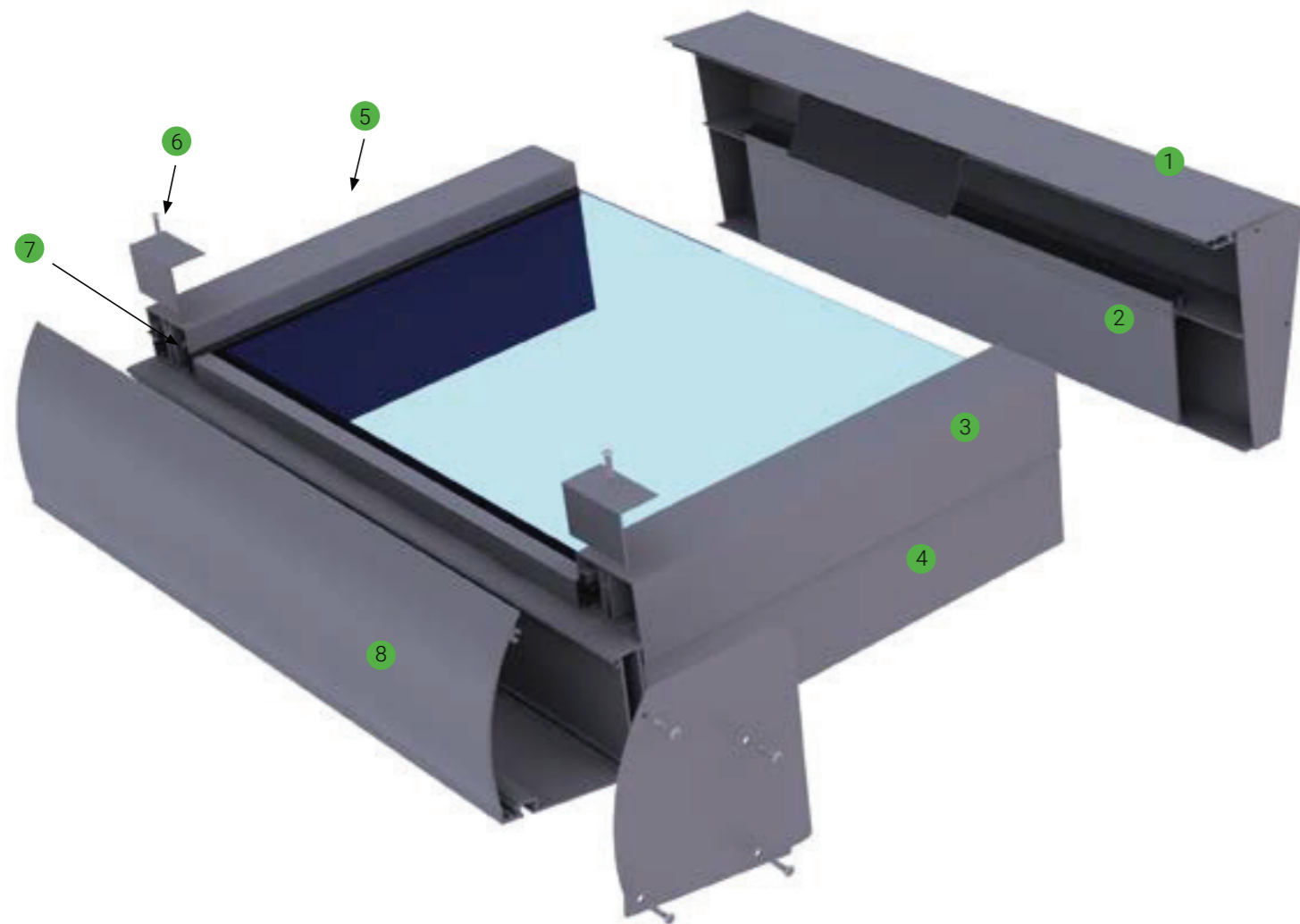
Weight kg/m: 0,240
(43 x 26 x 1mm)



24mm H Profile

Product Code: 2545

Weight kg/m: 0,285
(33 x 50 x 1mm)



- ① 2004 PROFILE NO.
- ② 2011 PROFILE NO.
- ③ 2008 PROFILE NO.
- ④ 2005 PROFILE NO.
- ⑤ 2007 PROFILE NO.
- ⑥ 2394 PROFILE NO.
- ⑦ 2542 PROFILE NO.
- ⑧ 2012 PROFILE NO.
- ⑨ 2009 PROFILE NO.
- ⑩ 2010 PROFILE NO.



ANTORYUM OVAL MONTAGE

ANTORYUM OVAL LOSS OPRATION



ANTORYUM OVAL MONTAGE

ANTORYUM OVAL FOOT CONNECTION



ACCESSORIES

www.winper.ba

ANTORYUM SYSTEM

ANTORYUM ACCESSORIES



Print Gasket

Product Code: KIS-09

1 Top: 174 mt/15 kg
1 Roll: 174 mt/15 kg



Back Print Gasket

Product Code: KIS-10

1 Roll: 41 mt/15 kg



75 Filter

Product Code: KIS-08



24V / 5A Led Transformer

Product Code: KIS-21



24V Led

Product Code: KIS-22

Box Piece: 100



10x80 Steel Flat Bar



2x0.75 Nyaf Cable

Product Code: KIS-23

1 Roll: 100 mt

1975

PVC ALU STOLEA R I J A

**4.8x19 Screw**

Box Piece: 1000

Groove Sheet Screw

**4.8x45 YHB Screw**

Box Piece: 300

Glass Retainer Screw

**6.3x23 Screw**

Box Piece: 350

Foot Laser Connection Screw

**7.5x150 Concrete Screw**

Box Piece: 300

Shoe and Wall Fixing Screw

**m8x12 Screw**

Box Piece: 200

Foot and Groove Fixing Screw Antoryum Oval

**Rear Hanger Plate**

Product Code: KIS-24

Mold Number: Used in profile no 2532**Gutter Sheet**

Product Code: KIS-25

Mold Number: Used in profile no 2530**Covered Foot Template**

Product Code: KIS-26

Mold Number: Used in profile no 2301, 2302**Covered Foot Top Connection Plate**

Product Code: KIS-27

Mold Number: Used in profile no 2301, 2302**Covered Foot Bottom Connection Plate**

Product Code: KIS-28

Mold Number: Used in profile no 2301, 2302

**Oval Gutter Sheet**

Product Code: KIS-29

Mold Number: Used in profile no 2594**Capless Foot Template**

Product Code: KIS-30

Mold Number: Used in profile no 2111**Coverless Foot Top Connection Plate**

Product Code: KIS-31

Mold Number: Used in profile no 2111**110x145 Shoe**

Product Code: PRG-84

Mold Number: Used in profile no 2111**L Connection Plate**

Product Code: KIS-33

Mold Number: Used in profile no 2490, 2530, 2594**Covered Foot Top Connection Plate**

Product Code: KIS-02

Mold Number: Used in profile no 2009, 2010**Covered Foot Bottom Connection Plate**

Product Code: KIS-03

Mold Number: Used in profile no 2009, 2010**Rear Hanger Plate**

Product Code: KIS-04

Mold Number: Used in profile no 2004**Oval Gutter Sheet**

Product Code: KIS-05

Mold Number: Used in profile no 2012**Lama Nut Sheet**

Product Code: KIS-06

2012 Gutter Covered Leg Connection

ANTORYUM SYSTEM

ANTORYUM GLASS



Insulating Glass

ANTORYUM OVAL
Minimum 8mm - Maximum 24 mm



Laminated Glass

ANTORYUM OVAL
Minimum 8mm - Maximum 12 mm



ANTORYUM FLAT

Polycarbonate
Minimum 8mm - Maximum 24 mm

